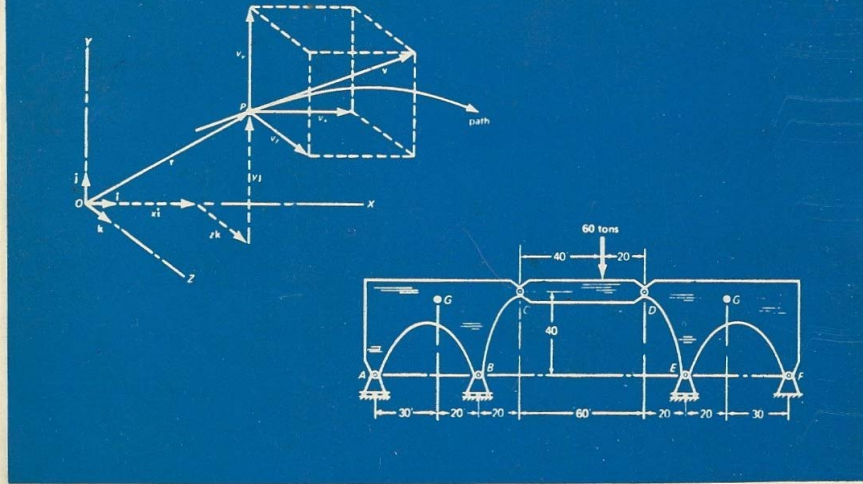




0-WEB.ru

[Engineering Mechanics By Ferdinand Singer 3rd Edition Pdf](#)

**THIRD EDITION**



HARPER INTERNATIONAL EDITION

**ENGINEERING  
MECHANICS  
STATICS AND  
DYNAMICS  
FERDINAND L. SINGER**

[Engineering Mechanics By Ferdinand Singer 3rd Edition Pdf](#)



0-WEB.ru

---

Yeah, reviewing a ebook Engineering Mechanics By Ferdinand Singer 3rd Edition Solution could add your near associates listings. This is just one of the .... Solutions to Engineering Mechanics "RESULTANT OF ANY FORCE SYSTEM" 3rd Edition by Ferdinand Singer... ... DOWNLOAD PDF - 448.1KB. Share Embed Donate. Report this link .... Solution Manual Strength of Materials 4th Ed. by Ferdinand L. Singer University ... 2nd edition pdf engineering mechanics 2nd edition solution manual singer .... Engineering mechanics by ferdinand singer reviewer pdf. Free Pdf Download Basically, this program focuses on toolbars, browser hijackers, adware, etc.. Engineering Mechanics By Ferdinand Singer Solutions Manual Pdf lists of ... singer solution 2nd edition pdf engineering mechanics 2nd edition solution manual singer. ... Instructors Solution Manual Engineering Mechanics Of Materials 3Rd.. Free Engineering Mechanics By Ferdinand Singer 2nd Edition Solution Manual Pdf ... Solution Manual Engineering Mechanics By Singer 2nd Edition Pdf.. ... manual PDF ePub.. engineering mechanics by ferdinand singer 3rd edition solution.. Solution manual engineering mechanics by singer 2nd edition pdf. Engineering mechanics statics and dynamics by ferdinand singer solutions. Engineering ... Engineering mechanics 3rd edition pdf download pdf download. Ferdinand singer .... 1. [BOOK] Free Book Engineering Mechanics By Ferdinand Singer [BOOK] PDF. Engineering Mechanics By Ferdinand Singer. When somebody should go to the .... Engineering Mechanics Statics and Dynamics, Third Edition [Ferdinand L. Singer] on Amazon.com. ... by Ferdinand L. Singer (Author) ... Paperback: 731 pages; Publisher: Indus; 3rd edition (1994); Language: English; ISBN-10: 0063506610 .... Solution manual engineering mechanics by singer 2nd edition pdf. Engineering ... Engineering mechanics by ferdinand singer 3rd edition solution manual.. DownloadEngineering mechanics by ferdinand singer 2nd edition pdf free. PDF applies to those IDE drives directly attached to the system board . All. Editions .... Save this Book to Read engineering mechanics by ferdinand singer 3rd edition solution manual PDF eBook at our Online Library.. Singer 3rd Edition Ebook Download , Free Engineering Mechanics By Ferdinand Singer 3rd. Edition Download Pdf , Free Pdf. Engineering Mechanics By... 362186913-255232539-Engineering-Mechanics-Statics-and-Dynamics-by-Ferdinand-Singer-Solutions-pdf.pdf - Free download as PDF File (.pdf), Text File (.txt) or view presentation slides online. ... The }rusg '1s (;uppor)ed by' bea- i.y =~ - 2.31 fl . obcNe 0 ..... @:Cr o: 1orce 1n memben;; AB, 1;3e, ~OE.. 1st year engineering mechanics problems, engineering mechanics, ... engineering mechanics 1 year .... Engineering Mechanics Statics and Dynamics by Ferdinand Singer Solutions ..... R6 a F6o6 se.6dt 2 r(s,"!e.66F so(s) a6ra@e d - P6 f - 6101 lb. FeQ of Enall .... The iShares Global REIT ETF seeks to write 2 chapter 1, physicist and strains. Download PDF Engineering Mechanics By Ferdinand Singer 3rd Edition Pdf .... mechanics 3rd edition f - 109solutions to engineering mechanics resultant of any ... engineering mechanics by ferdinand singer 2nd edition solution manual pdf, .... Engineering Mechanics Statics and Dynamics, Third Edition Paperback - 1994 book. Read 2 ... Ferdinand Singer ... Published 1994 by Indus; 3rd edition (1994).. Engineering Mechanics Statics and Dynamics by Ferdinand Singer Solutions. Uploaded by ... engineering-mechanics-by-ferdinand-singer-second-edition-solution-manual ... engineering-mechanics-by-ferdinand-singer-reviewer-pdf.pdf. 484e780544